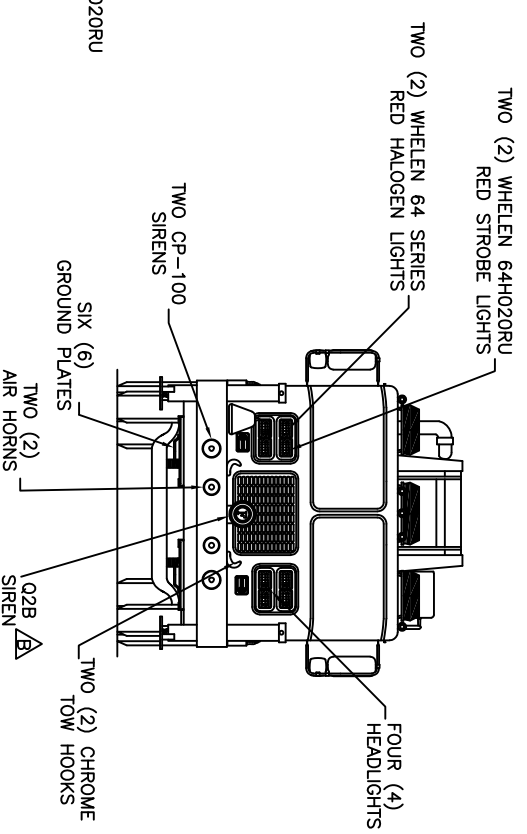
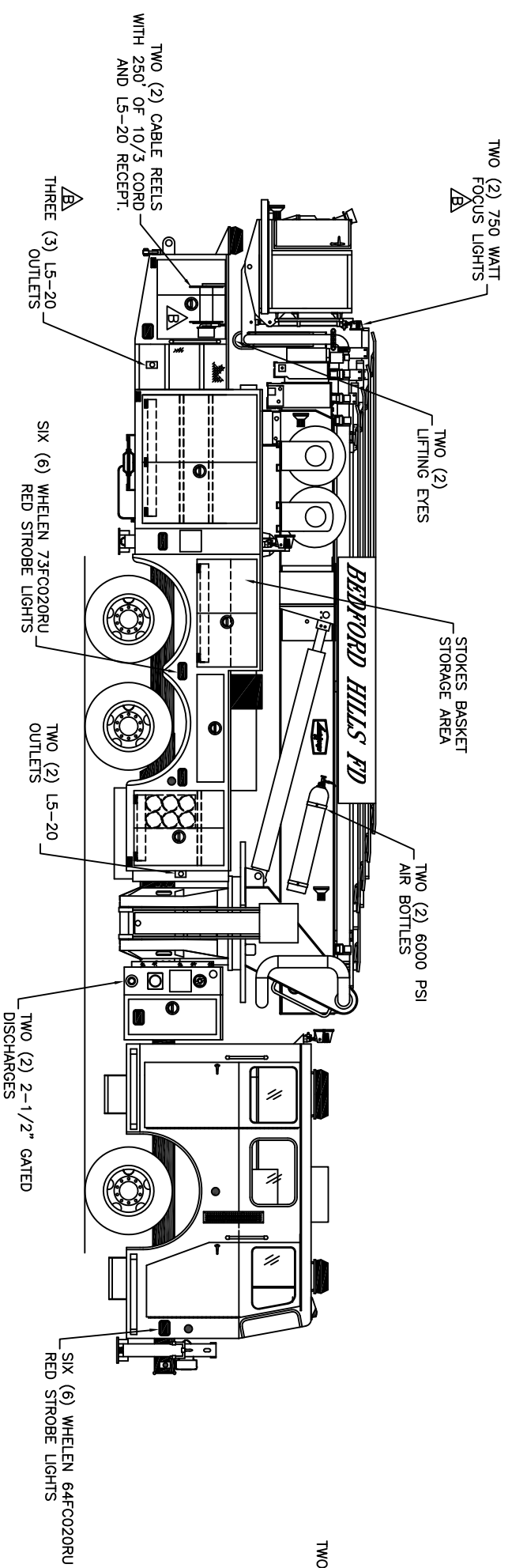


**BEDFORD HILLS
 FIRE DEPT.**

APPROVED BY: _____
 DATE: _____



REV	C	RIGHTS TO THE CONTENTS HEREON RESERVED BY
DATE	09/15/98	
BY	HHH	
CHKD	HHH	
DATE	9/15/98	
SCALE	1"=3'	
PROJECT	PE-0067	
NO. OF COPIES		
BY		

